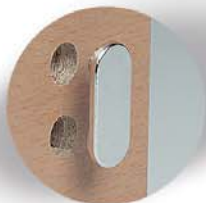


2.2 Abdeckkappen

Verbindungsbeschläge



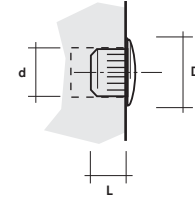
Abdeckstopfen

cover caps

Art.-Nr. Verp. Einheit Ausfuhrung Farben: Standard
 art.-no. packing units type colours: standard

Einzelstopfen
single cover cap

| | | d | D | L |
|---------|--------|--------|---------|--------|
| 32.0100 | 10.000 | 3 mm | 5,5mm | 4 mm |
| 32.0010 | 10.000 | 3 mm | 15 mm | 6 mm |
| 32.0040 | 5.000 | 4 mm | 6,4mm | 5,3mm |
| 32.0350 | 5.000 | 4,8mm | 6 mm | 4 mm |
| 32.0410 | 5.000 | 4,9mm | 7,5 mm | 4 mm |
| 32.0540 | 5.000 | 5 mm | 5,7 mm | 7,6 mm |
| 32.0510 | 5.000 | 5 mm | 8 mm | 3 mm |
| 32.0030 | 5.000 | 5 mm | 8 mm | 5 mm |
| 32.0020 | 5.000 | 5 mm | 13 mm | 5 mm |
| 32.0470 | 5.000 | 5,2mm | 14 mm | 12 mm |
| 32.0570 | 5.000 | 5,4mm | 15 mm | 7,5 mm |
| 32.0060 | 5.000 | 6 mm | 8 mm | 5,5mm |
| 32.0240 | 5.000 | 6 mm | 10 mm | 6 mm |
| 32.0050 | 5.000 | 6 mm | 13 mm | 6 mm |
| 32.0640 | 5.000 | 7 mm | 12,5mm | 8 mm |
| 32.0070 | 5.000 | 7 mm | 13 mm | 6 mm |
| 32.0480 | 5.000 | 8 mm | 8,4mm | 5,5mm |
| 33.0780 | 5.000 | 8 mm | 10 mm | 5,5mm |
| 32.0080 | 5.000 | 8 mm | 13 mm | 5 mm |
| 32.0090 | 5.000 | 8 mm | 15 mm | 5 mm |
| 32.0110 | 5.000 | 9 mm | 13 mm | 5 mm |
| 32.0550 | 5.000 | 10 mm | 11,5 mm | 5,5mm |
| 32.0560 | 5.000 | 10 mm | 13 mm | 4 mm |
| 32.0230 | 5.000 | 10 mm | 13 mm | 5,5mm |
| 32.0120 | 5.000 | 10 mm | 15 mm | 5,5mm |
| 32.0130 | 5.000 | 11 mm | 16 mm | 5 mm |
| 32.0460 | 5.000 | 12 mm | 15 mm | 3,5mm |
| 32.0140 | 5.000 | 12 mm | 16 mm | 5 mm |
| 32.0650 | 5.000 | 12 mm | 17 mm | 3,2mm |
| 32.0660 | 5.000 | 12 mm | 19 mm | 3,2mm |
| 32.0580 | 2.000 | 12 mm | 19 mm | 8 mm |
| 32.0150 | 5.000 | 13 mm | 16 mm | 6 mm |
| 32.0360 | 3.000 | 14 mm | 17 mm | 7 mm |
| 32.0420 | 3.000 | 14 mm | 17,5 mm | 3 mm |
| 32.0440 | 3.000 | 14,5mm | 18 mm | 2,5mm |
| 32.0610 | 5.000 | 14,9mm | 16,5mm | 2,5mm |
| 32.0160 | 3.000 | 15 mm | 18 mm | 7,5 mm |
| 32.0630 | 5.000 | 15 mm | 19 mm | 3 mm |
| 32.0170 | 1.000 | 18 mm | 22 mm | 6,5mm |
| 32.0180 | 1.000 | 20 mm | 30 mm | 5 mm |
| 60.6100 | 1.000 | 20 mm | 22 mm | 2 mm |
| 32.0190 | 1.000 | 25 mm | 30 mm | 7 mm |
| 32.0430 | 1.000 | 26 mm | 30 mm | 6,5mm |
| 33.0720 | 1.000 | 1/2 in | 16 mm | 4,8mm |
| 33.0730 | 1.000 | 3/8 in | 13 mm | 3 mm |



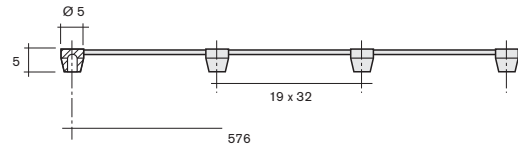
4 Schlitze + 4 Kerben/4 slots + 4 undercuts

Abdeckstopfen

cover caps

Art.-Nr. Verp. Einheit Ausführung Farben: Standard
 art.-no. packing units type colours: standard

| Art.-Nr. art.-no. | Verp. Einheit packing units | Ausführung type | | L |
|----------------------|--------------------------------|---|------|------|
| | | Farben: Standard colours: standard | | |
| 60.4170 | 5.000 | Einzelstopfen <i>single cover cap</i> | | |
| | | d | D | |
| | | 5 mm | 5 mm | 5 mm |



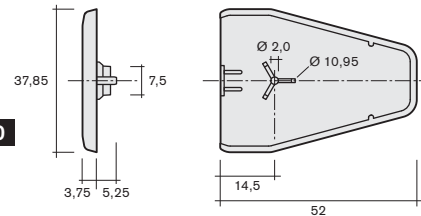
| Art.-Nr. art.-no. | Verp. Einheit packing units | Ausführung type | | L |
|----------------------|--------------------------------|---|-------|-------|
| | | Farben: Standard colours: standard | | |
| 33.0230 | 1.000 | Kappe für Schrankverbinder <i>cover caps for K. D. Fittings</i> | | |
| | | d | D | |
| 33.0120 | 1.000 | 10 mm | 25 mm | 11 mm |
| 33.0100 | 6.000 | 10 mm | 30 mm | 7 mm |
| 33.0110 | 4.500 | 10 mm | 30 mm | 11 mm |



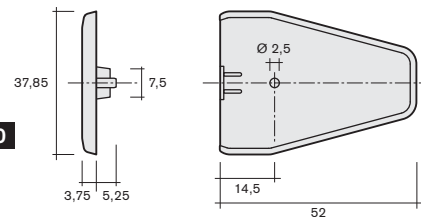
| Art.-Nr. art.-no. | Verp. Einheit packing units | Ausführung type | | L |
|----------------------|--------------------------------|---|--|---|
| | | Farben: Standard colours: standard | | |
| 33.0760 | 2.000 | Kappe für VB-Beschlag <i>cover caps for VB-fittings</i> | | |
| | | mit Zapfen \varnothing 2,0 mm und Abstützung <i>with pin \varnothing 2.0 mm and support</i> | | |
| 33.0900 | 2.000 | mit Zapfen \varnothing 2,5 mm / <i>with pin \varnothing 2.5 mm</i> | | |

33.0230

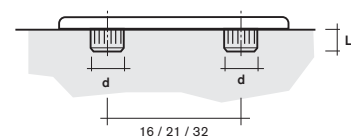
33.0760



33.0900



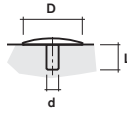
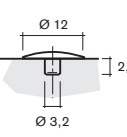
| Art.-Nr. art.-no. | Verp. Einheit packing units | Ausführung type | | L |
|----------------------|--------------------------------|---|--|--------|
| | | Farben: Standard colours: standard | | |
| 33.0000 | 2.500 | Doppelstopfen <i>twin plugs</i> | | |
| | | d/Teilung/spacing | | |
| 33.0070 | 2.000 | 8/32 mm | | 5,5 mm |
| 33.0020 | 2.500 | 10/16 mm | | 5 mm |
| 33.0030 | 4.500 | 10/32 mm | | 6 mm |
| 33.0850 | 2.500 | 12/21 mm | | 3 mm |
| 33.0860 | 4.000 | 16/21 mm | | 3 mm |



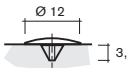
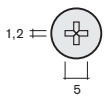
Spezial-Abdeckkappen

special cover caps

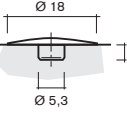
Art.-Nr. Verp. Einheit Ausfuhrung Farben: Standard
 art.-no. packing units type colours: standard

| Art.-Nr. art.-no. | Verp. Einheit packing units | fur Direkta-Schrauben for Direkta-screws | | | L | Diagram |
|----------------------|--------------------------------|--|-------|--|--------|---|
| | | d | D | | | |
| 32.0260 | 5.000 | 2,3 mm | 15 mm | | 6,0 mm |  |
| 32.0280 | 5.000 | 2,4 mm | 11 mm | | 4,5 mm | |
| 32.0750 | 5.000 | 2,5 mm | 15 mm | | 5,4 mm |  |
| 32.0530 | 5.000 | 2,6 mm | 15 mm | | 4,0 mm | |
| 33.0250 | 5.000 | 2,9 mm | 15 mm | | 6,5 mm | |
| 32.0270 | 5.000 | 3,0 mm | 12 mm | | 6,0 mm | |
| 32.0330 | 5.000 | 3,2 mm | 12 mm | | 2,8 mm | |

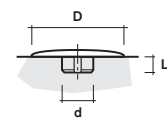
32.0330

| Art.-Nr. art.-no. | Verp. Einheit packing units | fur Kreuzschlitz-Schrauben for Phillips screws | | | L | Diagram |
|----------------------|--------------------------------|--|---|--|---|---|
| | | d | D | | | |
| 33.0500 | 4.000 | | | | |   |

| Art.-Nr. art.-no. | Verp. Einheit packing units | fur Innen-Sechskant-Schrauben SW 4 K. 12,5 mm strukturierte Oberflache for Hexagon socket screws SW 4 head 12.5 mm textured surface | | | L | Diagram |
|----------------------|--------------------------------|--|---|--|---|---|
| | | d | D | | | |
| 32.0500 | 5.000 | | | | |  |

| Art.-Nr. art.-no. | Verp. Einheit packing units | fur Innen-Sechskant-Schrauben SW 5 K. 18 mm for Hexagon socket screws SW 5 head 18 mm | | | L | Diagram |
|----------------------|--------------------------------|---|---|--|---|---|
| | | d | D | | | |
| 33.0090 | 4.000 | | | | |  |

| Art.-Nr. art.-no. | Verp. Einheit packing units | fur Minifix for Minifix | | | L | Stegbreite | Notes |
|----------------------|--------------------------------|-----------------------------|---------|--------|--------|---------------------------------------|-------|
| | | d | D | | | | |
| 32.0730 | 5.000 | 4,3 mm | 18,5 mm | 2,7 mm | – | geeignet fur SW 4 / useable for SW 4 | |
| 32.0700 | 5.000 | 4,45 mm | 18,5 mm | 3,5 mm | – | geeignet fur SW 4 / useable for SW 4 | |
| 32.0670 | 5.000 | 7,0 mm | 18,5 mm | 2,7 mm | 1,7 mm | | |



Spezial-Abdeckkappen

special cover caps

Art.-Nr. Verp. Einheit Ausfuhrung Farben: Standard
 art.-no. packing units type colours: standard

60.3150

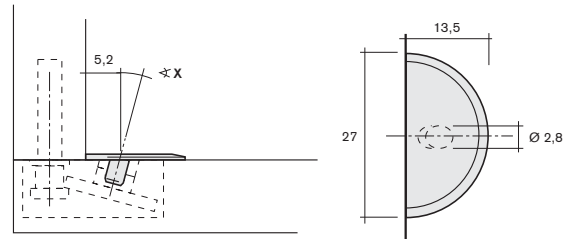
5.000

Kappe mit Schragzapfen X = 15°
 fur VB-Beschlag 15°
cover cap with oblique dowels X = 15°
 for VB-fittings 15°

60.3570

20.000

Kappe mit Schragzapfen X = 25°
 fur VB-Beschlag 25°
cover cap with oblique dowels X = 25°
 for VB-fittings 25°



fur Scharnierbohrungen
for hinge holes

32.0430

1.000

| d | D | L | H |
|-------|-------|--------|--------|
| 26 mm | 30 mm | 6,5 mm | 1,0 mm |

32.0200

500

| | | | |
|-------|---------|--------|--------|
| 30 mm | 35,6 mm | 7,2 mm | 2,0 mm |
|-------|---------|--------|--------|

32.0210

4.000

| | | | |
|-------|-------|--------|--------|
| 35 mm | 38 mm | 9,3 mm | 0,7 mm |
|-------|-------|--------|--------|

33.0790

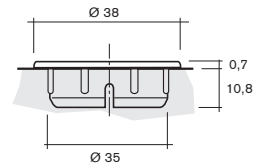
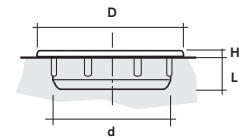
2.200

| | | | |
|-------|-------|--------|--------|
| 50 mm | 57 mm | 8,5 mm | 1,0 mm |
|-------|-------|--------|--------|

32.0450

3.500

35 mm 38 mm Schaft geschlitzt / shaft slotted



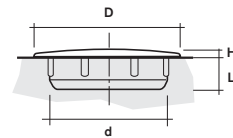
32.0450

mit gewolbter Abdeckflache
with curved cover surface

33.1000

420

| d | D | L | H |
|---------|-------|-------|--------|
| 52,2 mm | 55 mm | 15 mm | 2,5 mm |



32.0320

2.200

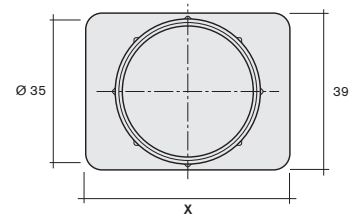
mit Abdeckflache X = 50 x 39 mm, ohne Zapfen
with cover surface X = 50 x 39 mm, without pin

mit Abdeckflache X = 58 x 39 mm, ohne Zapfen
with cover surface X = 58 x 39 mm, without pin

32.0340

2.000

35 mm -

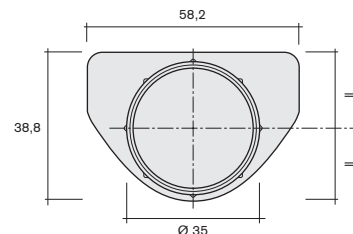


32.0590

2.400

Abdeckstopfen mit
Abdeckflache 58,2 x 38,8 mm
covering plug with
covering area 58.2 x 38.8 mm


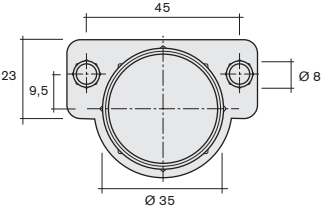

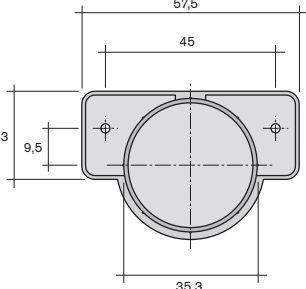

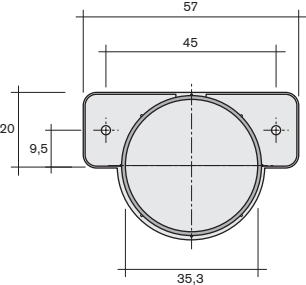

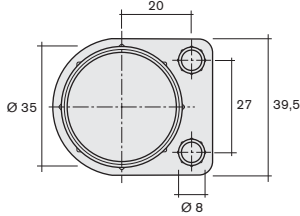

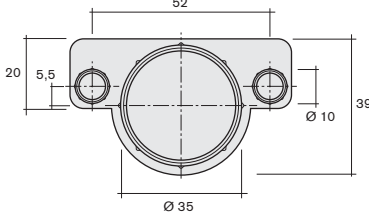

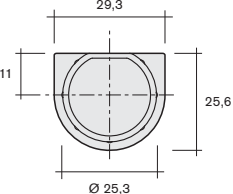
35 mm -



Spezial-Abdeckkappen

special cover caps

Art.-Nr. Verp. Einheit Ausfuhrung Farben: Standard
 art.-no. packing units type colours: standard

| | | | | |
|---------|-------|--|---|---|
| 33.0060 | 2.400 | <p>mit Lasche und 2 Zapfen 2 Zapfen \varnothing 8 mm, Teilung 45 mm <i>with strap-joint and 2 pins</i> 2 pins \varnothing 8 mm, 45 mm spacing</p> <p>d D 35 mm -</p> |  |  |
| 33.0870 | 850 | <p>mit Lasche und 2 Zapfen 2 Zapfen \varnothing 2,4 mm, Teilung 45 mm fur vormontierte Muffen <i>with strap-joint and 2 pins</i> 2 pins \varnothing 2.4 mm, 45 mm spacing for pre-mounted sockets</p> <p>d D 35 mm -</p> |  |  |
| 33.0890 | 1.000 | <p>mit Lasche und 2 Zapfen 2 Zapfen \varnothing 2,4 mm, Teilung 45 mm fur vormontierte Muffen <i>with strap-joint and 2 pins</i> 2 pins \varnothing 2.4 mm, 45 mm spacing for pre-mounted sockets</p> <p>d D 35 mm -</p> |  |  |
| 33.0770 | 3.500 | <p>mit Lasche und 2 Zapfen 2 Zapfen \varnothing 8 mm, Teilung 27 mm <i>with strap-joint and 2 pins</i> 2 pins \varnothing 8 mm, 27 mm spacing</p> <p>d D 35 mm -</p> |  |  |
| 33.0800 | 2.600 | <p>mit Lasche und 2 Zapfen 2 Zapfen \varnothing 10 mm, Teilung 52 mm <i>with strap-joint and 2 pins</i> 2 pins \varnothing 10 mm, 52 mm spacing</p> <p>d D 35 mm -</p> |  |  |
| 33.0910 | 3.200 | <p>Abdeckstopfen mit Abdeckflache 29,3 x 25,6 mm <i>covering plug with</i> <i>covering area 29.3 x 25.6 mm</i></p> <p>d D 25,3 mm -</p> |  |  |

Spezial-Abdeckkappen

special cover caps


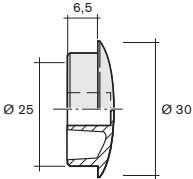

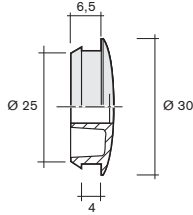

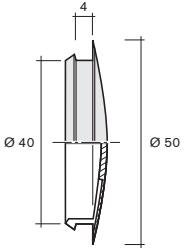

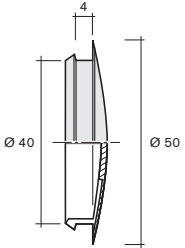

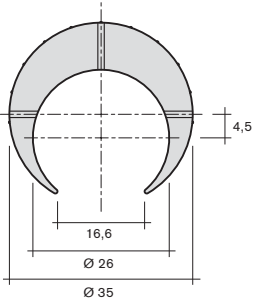
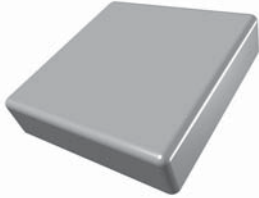
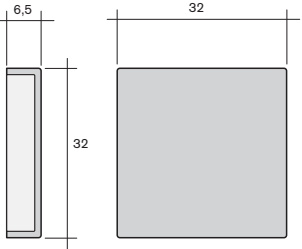
Art.-Nr. Verp. Einheit Ausführung Farben: Standard
 art.-no. packing units type colours: standard

| Art.-Nr. art.-no. | Verp. Einheit packing units | Ausführung type | Farben: Standard colours: standard | | | | |
|----------------------|--------------------------------|--------------------|---------------------------------------|---|----------|--|--|
| | | | | Abdeckkappe für Hängeschrankbeschlag cover cap for wall cupboard fittings | | | |
| | | d | D | B | L | | |
| 32.0710 | 5.000 | 14,6 mm | 18 mm | 8,5 mm | 3,0 mm | | |
| 32.0740 | 3.300 | 14,6 mm | 19 mm | 8,5 mm | 2,7 mm | | |
| 32.0720 | 5.000 | 12,3 mm | 16 mm | 5,8 mm | 3,2 mm | | |
| | | | | Abdeckstopfen mit angespritztem Deckel cover cap with plastic mantled cover | | | |
| 33.0830 | 11.000 | | | | | | |
| | | | | Kabelstopfen small cable hole covers | | | |
| 32.0220 | 1.000 | d | D | | | | |
| | | 18 mm | 22 mm | | | | |
| | | | | seitliche Öffnung ø 7 mm lateral opening ø 7 mm | | | |
| 33.0190 | 2.000 | 18 mm | 22 mm | | | | |
| | | | | Abdeckstopfen mit Kabelklemmung cover cap with cable fixing | | | |
| 33.0840 | 5.000 | 18 mm | 22 mm | | | | |

Spezial-Abdeckkappen

special cover caps

Art.-Nr. Verp. Einheit Ausfuhrung Farben: Standard
 art.-no. packing units type colours: standard

| | | | | | |
|----------------|-------|---|------------------------------|--|---|
| 33.0210 | 1.000 | Kabeloffnung ausbrechbar <i> cable opening breakable</i> | 25 mm 30 mm |  |  |
| 33.0220 | 1.000 | Kabeloffnung ausbrechbar <i> cable opening breakable</i> | 25 mm 30 mm |  |  |
| 33.0200 | 500 | Kabeloffnung ausbrechbar <i> cable opening breakable</i> | d D 40 mm 50 mm |  |  |
| 33.0130 | 500 | Kabeloffnung offen <i> cable opening open</i> | 40 mm 50 mm |  |  |
| 33.0200 | | | | | |
| 60.9290 | 1.000 | Reduzierstuck fur Topfscharnier <i> reducer for concealed hinge</i> | |  |  |
| 60.6810 | 1.000 | Zierkappe fur Glasturscharniere Firma Hettich <i> ornamental cap</i> for glass door hinge company Hettich | |  |  |

Spezial-Abdeckkappen

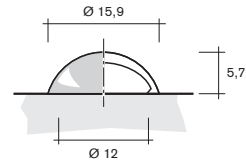
special cover caps

Art.-Nr. Verp. Einheit Ausfuhrung Farben: Standard
art.-no. *packing units* *type* *colours: standard*

32.0380

5.000

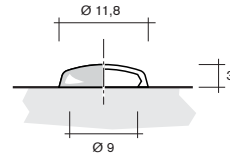
fur Rundkopfschraube
Kopf \varnothing 12 mm
for round head screw
head \varnothing 12 mm



33.0301

1.000

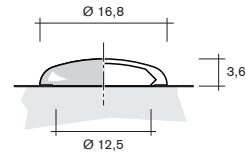
fur Verbindungsschraube
Kopf \varnothing 9 mm
for connecting screw
head \varnothing 9 mm



33.0401

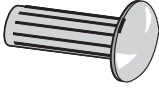
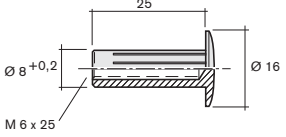
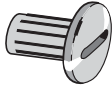
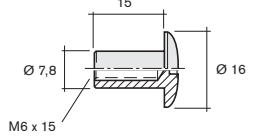
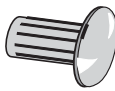
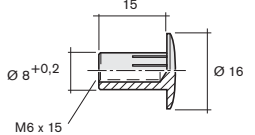
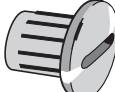
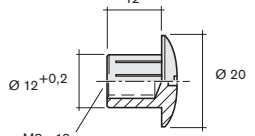
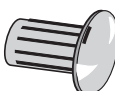
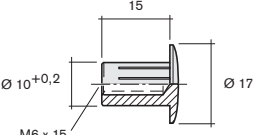

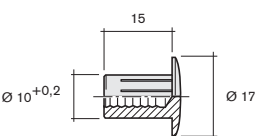
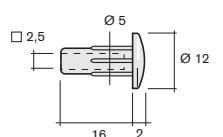
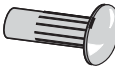
5.000

fur Verbindungsschraube
Kopf \varnothing 12,5 mm
for connecting screw
head \varnothing 12,5 mm



Gewindekappen für Verbindungsschrauben

threaded caps for connecting screws

| Art.-Nr. art.-no. | Verp. Einheit packing units | Ausführung type | Farben: Standard colours: standard | | |
|----------------------|--------------------------------|---|---------------------------------------|--|---|
| 44.0601 | 2.000 | lang, ohne Schlitz, M6 x 25 mm long, without slot, M6 x 25 mm | |  |  |
| 44.0651 | 2.000 | lang, mit Schlitz, M6 x 25 mm long, with slot, M6 x 25 mm | | | |
| 44.0601 | | | | | |
| 44.0511 | 1.000 | normal, mit Schlitz, M6 x 15 mm standard, with slot, M6 x 15 mm | |  |  |
| 44.0501 | 1.000 | normal, ohne Schlitz, M6 x 15 mm standard, without slot, M6 x 15 mm | |  |  |
| 44.0701 | 2.000 | Spezial-Kappe mit Schlitz M8 x 12 mm special cap with slot M8 x 12 mm | |  |  |
| 44.0821 | 1.000 | Spezial-Kappe ohne Schlitz M6 x 15 mm special cap without slot M6 x 15 mm | |  |  |
| 44.0831 | 1.000 | Spezial-Kappe ohne Schlitz mit Grobgewinde special cap without slot with coarse thread | |  |  |
| 44.0411 | 1.000 | ohne Schlitz für Holzschraubengewinde without slot for wood screw thread | | |  |
| 44.0421 | 1.000 | mit Schlitz für Holzschraubengewinde with slot for wood screw thread | |  | |
| 44.0411 | | | | | |

Verbindungsschrauben mit Metallkern

connecting screws with steel thread

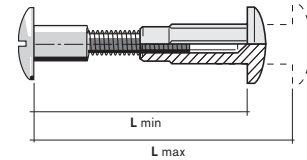
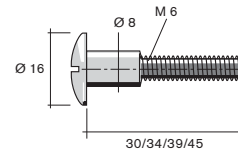
 **Henke Beschlage**

Art.-Nr. Verp. Einheit Ausfuhrung Farben: Standard
 art.-no. packing units type colours: standard

Nylon-Verbindungsschrauben M6
 mit glanzverzinktem Metallgewinde,
nylon connecting screws M6
 with bright galvanized metal thread

L. min. L. max.

| | | | |
|---------|-------|-------|-------|
| 40.0301 | 1.000 | 30 mm | 39 mm |
| 40.0341 | 1.000 | 34 mm | 43 mm |
| 40.0391 | 500 | 39 mm | 48 mm |
| 40.0451 | 500 | 45 mm | 54 mm |



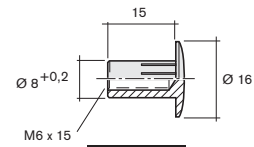
Gewindekappen

Farben und unterschiedliche Langen auf Anfrage. Gewindekappen auf Wunsch auch mit Schlitz lieferbar. Durch Kombination mit langer Gewindekappe lassen sich groe Spannbereiche erzielen.

threaded cap standard

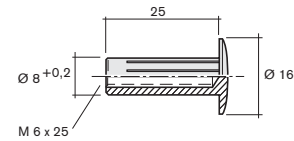
Colours and other lengths on request. Threaded caps also available with slot. In combination with longer threaded caps greater coverage can be achieved.

44.0501 1.000 **normal, ohne Schlitz, M6 x 15 mm**
 standard, without slot, M6 x 15 mm



44.0501

44.0601 2.000 **lang, ohne Schlitz, M6 x 25 mm**
 long, without slot, M6 x 25 mm

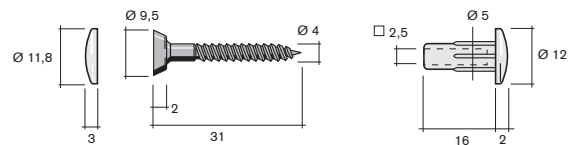


44.0601

10.2094 1.000 **Holzschraubengewinde 4 mm**
 mit Gewindekappe 44.0411
 44.0411 1.000 und mit Abdeckkappe 33.0301
4 mm wood screw thread
 33.0301 1.000 with threated cap without slot 44.0411
 and with cover cap 33.0301

L. min. L. max.

29 mm 38 mm



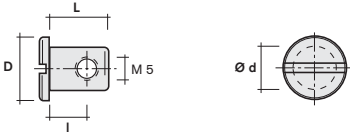
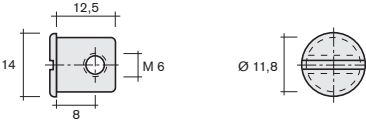

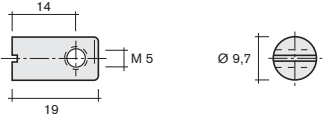


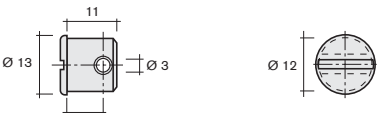
33.0301

10.2094

44.0411

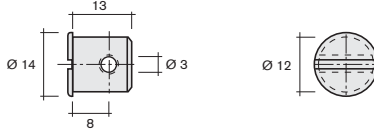
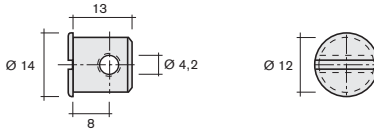
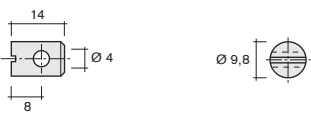
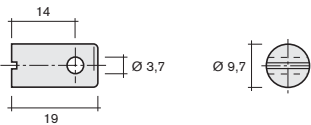
Verbindungskloben

connecting fittings

| Art.-Nr. art.-no. | Verp. Einheit packing units | Ausfuhrung type | Farben: wei colours: white | | | | | |
|----------------------|--------------------------------|--|--------------------------------|---------|--------|------|-----|---|
| 44.0811 | 1.000 | mit Bund M5 with collar M5 | | d | D | L | I |  |
| | | 9,7 mm | 14 mm | 14 mm | 8,5 mm | | | |
| 44.0910 | 2.000 | mit Bund M6 with collar M6 | | | | 12,5 | 8 |  |
| | | 11,8 mm | 14 mm | 12,5 mm | 8 mm | | | |
| 44.0980 | 1.000 | ohne Bund M5 without collar M5 | | | | 14 | 9 |  |
| | | 9,8 mm | - | 14 mm | 9 mm | | | |
| 44.0990 | 1.000 | ohne Bund M5 without collar M5 | | | | 14 | 19 |  |
| | | 9,7 mm | - | 19 mm | 14 mm | | | |
| 44.0900 | 2.000 | ohne Bund, mit Schlitz M6 without collar, with slot M6 | | | | 13 | 7,5 |  |
| | | 11,8 mm | - | 13 mm | 7,5 mm | | | |
| 44.1060 | 2.000 | ohne Bund, mit Schlitz Bohrung  3 mm, ohne Gewinde without collar, with slot hole  3 mm, without thread | | | | 11 | 7 |  |
| | | 11,8 mm | - | 11 mm | 7 mm | | | |
| 44.1150 | 2.000 | mit Bund, mit Schlitz Bohrung  3 mm, ohne Gewinde with collar, with slot hole  3 mm, without thread | | | | 11 | 8 |  |
| | | 12 mm | 13 mm | 11 mm | 8 mm | | | |

Verbindungskloben

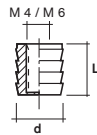
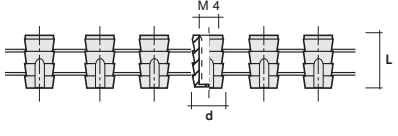
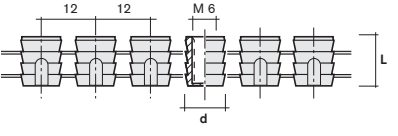

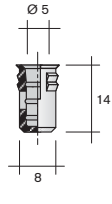
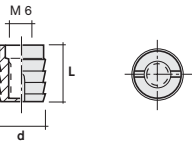
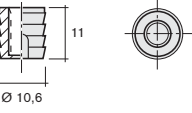
connecting fittings

| Art.-Nr. art.-no. | Verp. Einheit packing units | Ausfuhrung type | Farben: wei colours: white | | | | |
|----------------------|--------------------------------|--|--------------------------------|--|--|--|---|
| 44.1190 | 2.000 | mit Bund, mit Schlitz Bohrung \varnothing 3 mm, ohne Gewinde with collar, with slot hole \varnothing 3 mm, without thread | | | | |  |
| | | d D L I 12 mm 14 mm 13 mm 8 mm | | | | | |
| 44.1140 | 2.000 | mit Bund, mit Schlitz Bohrung \varnothing 4,2 mm, ohne Gewinde with collar, with slot hole \varnothing 4.2 mm, without thread | | | | |  |
| | | d D L I 12 mm 14 mm 13 mm 8 mm | | | | | |
| 44.1070 | 3.000 | ohne Bund, mit Schlitz Bohrung \varnothing 4 mm, ohne Gewinde without collar, with slot hole \varnothing 4 mm, without thread | | | | |  |
| | | d D L I 9,8 mm - 14 mm 8 mm | | | | | |
| 44.1090 | 2.000 | ohne Bund, mit Schlitz Bohrung \varnothing 3,7 mm, ohne Gewinde without collar, with slot hole \varnothing 3.7 mm, without thread | | | | |  |
| | | d D L I 9,7 mm - 19 mm 14 mm | | | | | |
| | | | | | | | |
| | | | | | | | |
| | | | | | | | |
| | | | | | | | |

Einschlagmuffen

knock-in inserts

Art.-Nr. Verp. Einheit Ausfuhrung Farben: wei, natur
 art.-no. packing units type colours: white, natural

| Art.-Nr. art.-no. | Verp. Einheit packing units | Ausfuhrung type | Farben: wei, natur colours: white, natural | | | |
|-------------------------------|--------------------------------|--|--|-------------------------------|---|---|
| 44.0740 | 10.000 | Einleimmuffe M4 glue in socket M4 | | Bandlange/collated | 1-fach | |
| | | d | L | | |  |
| 44.0780 | 4.000 | Einleimmuffe M6 glue in socket M6 | | 1-fach | | |
| | | d | L | | | |
| 44.1040 44.1120 44.0950 | 10.000 10.000 10.000 | Muffenband M4 magaziniert linked socket M4 magazine clip | | 20-fach 10-fach 20-fach |  | |
| | | d | L | | | |
| | | d | L | | | |
| 44.0800 44.0790 44.0810 | 30.000 24.000 24.000 | Muffenband M6 magaziniert linked socket M6 magazine clip | | 20-fach 20-fach 20-fach |  | |
| | | d | L | | | |
| | | d | L | | | |
| 05.5840 | 5.000 | Einschlagmuffe fur Schnellmontagescharniere Firma Mepla knock-in socket for quick installation hinge company Mepla | | 1-fach |   | |
| 10.4553 | 2.000 | Spreizmuffe expanding socket | | 1-fach |  | |
| 44.0760 | 4.000 | Einleimmuffe mit Grobgewinde fur Euroschraube \varnothing 5,3 - \varnothing 5,4 mm glue in socket with coarse thread for euro screw \varnothing 5.3 - \varnothing 5.4 mm | | 1-fach |  | |

Muffen sockets

Art.-Nr. Verp. Einheit Ausfuhrung Farben: wei, natur
art.-no. packing units type colours: white, natural

| | | | | | |
|----------------|---------------|--|----------|----------------------------|--|
| 44.0830 | 25.000 | Muffenband 5/32 Zoll | | Bandlange/collated | |
| | | magaziniert linked socket 5/32 inch magazine clip | | | |
| | | d | L | | |
| | | 8,5 mm | 10,2 mm | 20-fach | |

| | | | | | |
|----------------|---------------|--|---------|----------------|--|
| 44.1172 | 12.000 | Verbindungsmuffe zweiteilig | | 20-fach | |
| | | magaziniert connecting socket 2 parts magazine clip | | | |
| 44.1171 | 12.000 | 10,5 mm | 19,7 mm | | |
| | | | | | |

| | | | | | |
|----------------|---------------|--------------------------------------|--|----------------|--|
| 44.1200 | 10.000 | Klipsbeschlag zweiteilig | | 20-fach | |
| | | Dubel/dowel 10,5 mm 14,2 mm | | | |
| 44.1210 | 3.100 | Gehause/cage 30 x 18 x 10 mm | | 1-fach | |

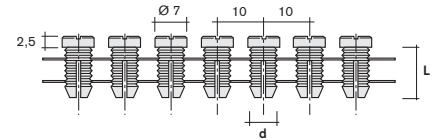
| | | | | | |
|----------------|--------------|--|---------|---------------|--|
| 44.0770 | 2.000 | Doppel-Gewindemuffe | | 1-fach | |
| | | mit Grobgewinde double thread insert with coarse thread | | | |
| | | 10,4 mm | 14,5 mm | | |
| 44.0750 | 2.000 | 10,4 mm | 15,5 mm | 1-fach | |
| 44.0710 | 2.000 | 10,4 mm | 19,0 mm | 1-fach | |

Spreizmuffen

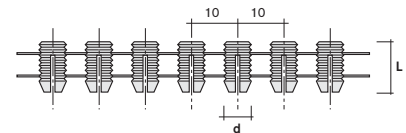
expanding dowels

Art.-Nr. Verp. Einheit Ausfuhrung Farben: natur
 art.-no. packing units type colours: natural

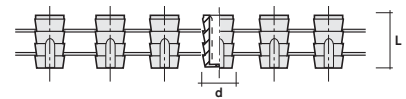
| Art.-Nr. art.-no. | Verp. Einheit packing units | Ausfuhrung type | Farben: natur colours: natural | d | L | Bandlange/collated |
|----------------------|--------------------------------|--|-----------------------------------|--------|-------|---------------------|
| 44.0860 | 10.000 | mit Bund magaziniert innen \varnothing 3,5 mm auf \varnothing 2,1 mm with collar magazine clip inside \varnothing 3.5 mm up to \varnothing 2.1 mm | | 5,7 mm | 11 mm | 20-fach |
| 44.0880 | 12.000 | | | 6,2 mm | 10 mm | 20-fach |



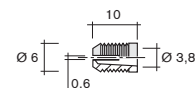
| | | | | | | |
|---------|--------|--|--|--------|---------|---------|
| 44.0850 | 14.000 | ohne Bund magaziniert innen \varnothing 3 mm auf \varnothing 2,1 mm without collar magazine clip inside \varnothing 3 mm up to \varnothing 2.1 mm | | 5,5 mm | 11 mm | 20-fach |
| 44.1030 | 14.000 | | | 5,5 mm | 9 mm | 20-fach |
| 44.1130 | 18.000 | | | 8,5 mm | 10,2 mm | 10-fach |



| | | | | | | |
|---------|--------|--|--|--------|---------|---------|
| 44.1220 | 14.000 | Muffenband magaziniert innen \varnothing 2/1,9 mm linked socket magazine clip inside \varnothing 2/1.9 mm | | 8,5 mm | 10,2 mm | 20-fach |
|---------|--------|--|--|--------|---------|---------|



| | | | | | | |
|---------|-------|--|--|------|-------|--------|
| 44.0890 | 5.000 | Spreizdubel innen \varnothing 3,8 mm auf \varnothing 0,6 mm expanding dowel inside \varnothing 3.8 mm up to \varnothing 0.6 mm | | 6 mm | 10 mm | 1-fach |
|---------|-------|--|--|------|-------|--------|

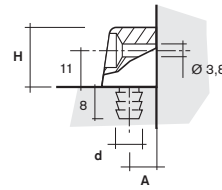


Verbindungsbeschläge

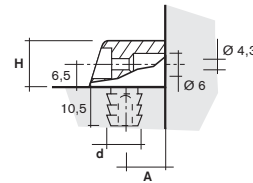
connecting fittings

Art.-Nr. Verp. Einheit Ausführung Farben: weiß, braun
 art.-no. packing units type colours: white, brown

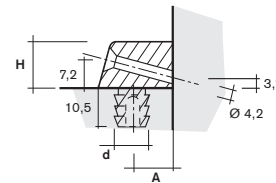
| Art.-Nr. art.-no. | Verp. Einheit packing units | Ausführung type | | |
|----------------------|--------------------------------|--|-------|-------|
| | | d | A | H |
| 60.1060 | 8.000 | ohne vormontierte Schraube <i>without premounted screw</i> | | |
| 60.5550 | 2.700 | 8 mm | 8 mm | 17 mm |
| | | 8 mm | 11 mm | 17 mm |



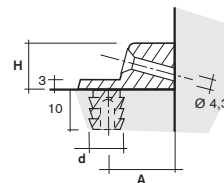
| Art.-Nr. art.-no. | Verp. Einheit packing units | Ausführung type | | |
|----------------------|--------------------------------|--|---------|---------|
| | | d | A | H |
| 60.0800 | 2.500 | ohne vormontierte Schraube <i>without premounted screw</i> | | |
| 60.0160 | 500 | 10 mm | 11,5 mm | 12,5 mm |
| 60.2951 | 500 | 10 mm | 27,5 mm | 12,5 mm |
| | | 5 mm | 28 mm | 12,5 mm |



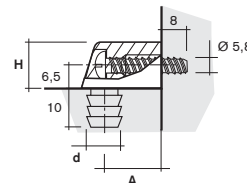
| Art.-Nr. art.-no. | Verp. Einheit packing units | Ausführung type | | |
|----------------------|--------------------------------|--|--------|---------|
| | | d | A | H |
| 60.4460 | 4.500 | mit Schräg-Senkloch ø 4,2 mm <i>ohne vormontierte Schraube</i> with oblique countersunk hole ø 4.2 mm <i>without premounted screw</i> | | |
| | | 8,7 mm | 9,5 mm | 12,6 mm |



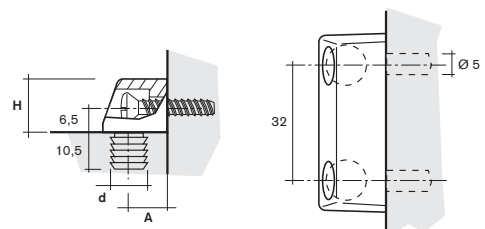
| Art.-Nr. art.-no. | Verp. Einheit packing units | Ausführung type | | |
|----------------------|--------------------------------|--|---------|-------|
| | | d | A | H |
| 60.5530 | 2.500 | mit Schräg-Senkloch ø 4,3 mm <i>ohne vormontierte Schraube</i> with oblique countersunk hole ø 4.3 mm <i>without premounted screw</i> | | |
| | | 8,2 mm | 15,5 mm | 14 mm |



| Art.-Nr. art.-no. | Verp. Einheit packing units | Ausführung type | | |
|----------------------|--------------------------------|---|---------|-------|
| | | d | A | H |
| 60.2120 | 3.000 | mit vormontierten Schrauben <i>with premounted screws</i> | | |
| 60.1550 | 3.000 | 10 mm | 14,5 mm | 12 mm |
| | | 10 mm | 15,5 mm | 12 mm |



| Art.-Nr. art.-no. | Verp. Einheit packing units | Ausführung type | | |
|----------------------|--------------------------------|--|-------|---------|
| | | d | A | H |
| 60.1050 | 700 | mit 2 vormontierten Schrauben für Systembohrungen ø 5 mm <i>2 Zapfen, Teilung 32 mm</i> with 2 premounted screws for system-holes ø 5 mm <i>2 pins, spacing 32 mm</i> | | |
| | | 10 mm | 11 mm | 14,5 mm |

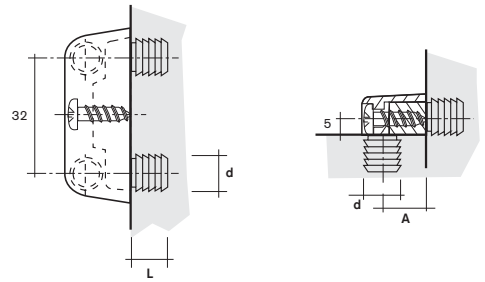


Verbindungsbeschläge

connecting fittings

Art.-Nr. Verp. Einheit Ausführung Farben: weiß, braun
 art.-no. packing units type colours: white, brown

| | | 2-teilig, verschraubt <i>2 parts, screwed on</i> | | |
|----------------|--------------|--|--------|-------|
| | | Oberteil <i>upper part</i> | | |
| | | d | L | A |
| 60.4030 | 3.000 | 10,4 mm | 10 mm | 13 mm |
| | | Unterteil <i>lower part</i> | | |
| 60.4040 | 3.000 | 10,4 mm | 10 mm | – |
| 60.4050 | 3.000 | 10,4 mm | 7,3 mm | – |



| | | | |
|----------------|--------------|---|--|
| 41.0320 | 1.000 | Korpus-Verbinder mit Stahlschraube M6 x 50 mm Abdeckkappe und Kloben ohne Rand (Kunststoff) cabinet connecting fitting with steel screw M6 x 50 mm with cover cap and block without collar (plastic) | |
|----------------|--------------|---|--|

| | | | |
|----------------|--------------|---|--|
| 41.0310 | 1.000 | Korpus-Verbinder mit Stahlschraube M6 x 50 mm Abdeckkappe und Kloben mit Rand (Kunststoff) cabinet connecting fitting with steel screw M6 x 50 mm with cover cap and block with collar (plastic) | |
|----------------|--------------|---|--|

| | | | |
|----------------|--------------|---|--|
| 60.0050 | 1.000 | Rahmen-Verbinder für Gehrungsverbindungen, Topf ø 20 mm connecting fitting for wooden frames for bevel connectings, casing ø 20 mm | |
|----------------|--------------|---|--|

Verbindungsbeschläge

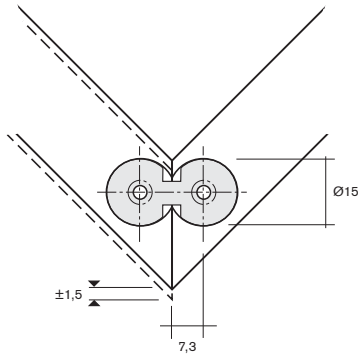
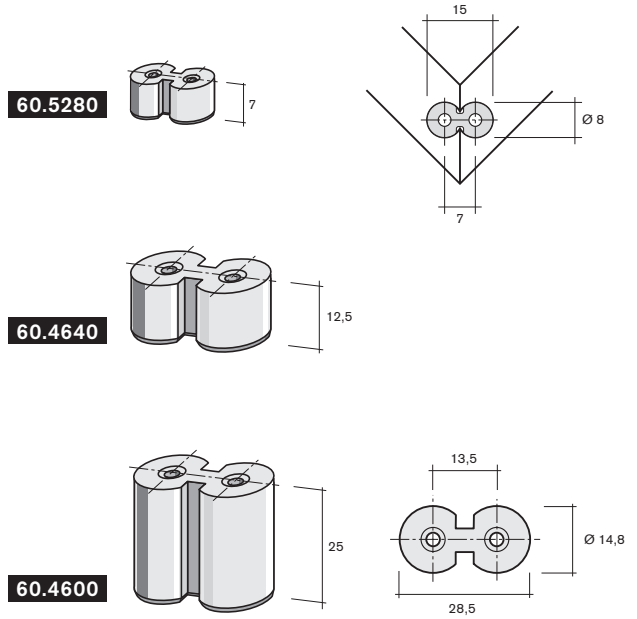
connecting fittings

Art.-Nr. Verp. Einheit Ausführung Farben: natur
 art.-no. packing units type colours: natural

60.5280
 60.4640
 60.4600

5.000 kurz/short
 3.500 mittell/middle
 1.800 lang/long

Kranzverbinder
 für das winklige Zusammenfügen
 von Leisten und Rahmen
connecting fitting for cornice profilers
 for the assembling of angular slides
 and frames



32.0680

5.000 **Abdeckkappe**
 für Kranzverbinder 60.5280
cover cap
 for connecting fittings 60.5280



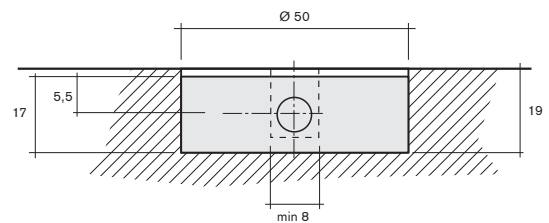
60.4560

1.000 mit vormontierter Mutter M6
 mit Klemmung
with premounted nut M6
 with stoppage

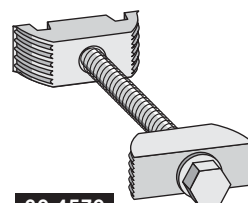
60.4570

1.200 mit Durchgangsbohrung
 with transversal borehole

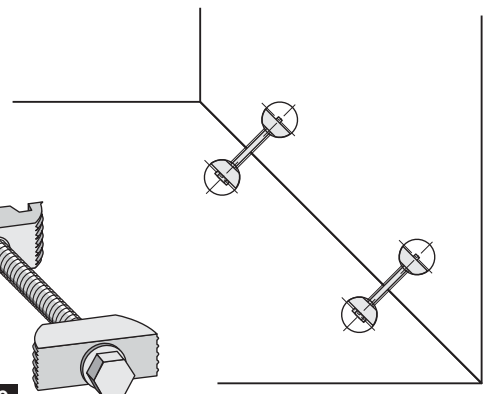
Arbeitsplatten-Verbinder, 2-teilig
connecting fitting for working-plates,
2 parts



60.4560



60.4570



Verbindungsbeschläge

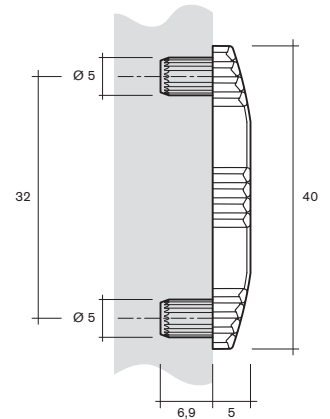
connecting fittings

Art.-Nr. Verp. Einheit Ausfuhrung Farben: natur
 art.-no. packing units type colours: natural

60.2130

3.000

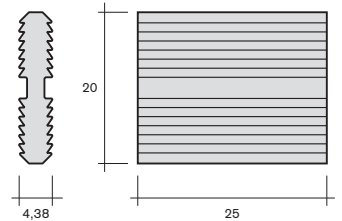
Verbindungsubel
 2 Zapfen \varnothing 5 mm, Teilung 32 mm
connecting dowel
 2 pins \varnothing 5 mm, spacing 32 mm



60.1000

6.000

Harpunenstuck
 25 x 20 x 4,25 mm
harpoon-piece
 25 x 20 x 4,25 mm

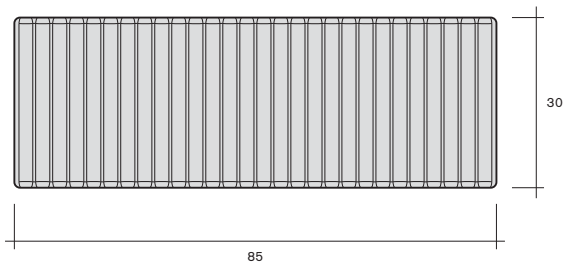
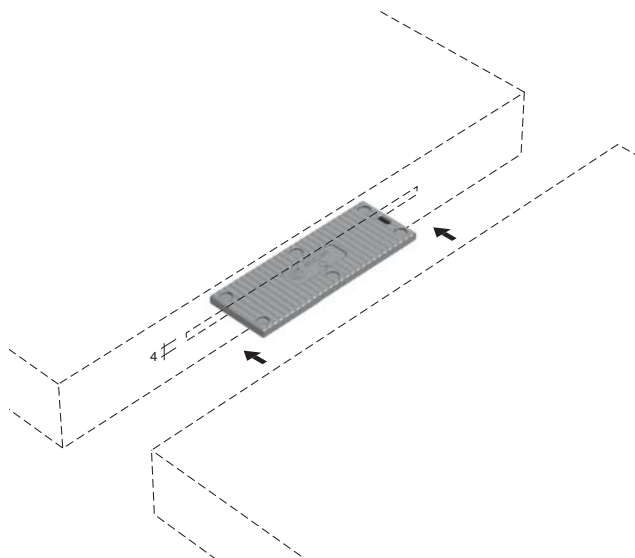


61.0290

NEU

950

Arbeitsplattenverbinder/Unterlegplatte
 85 x 30 x 4 mm
worktop connector/base plate
 85 x 30 x 4 mm



Verbindungsbeschläge

connecting fittings

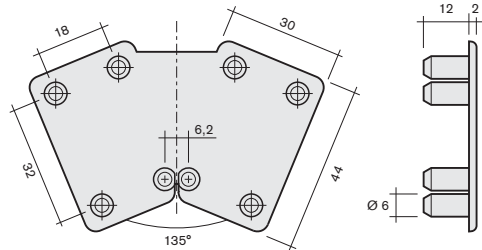
 **Henke Beschlage**

Art.-Nr. Verp. Einheit Ausfuhrung Farben: natur
 art.-no. packing units type colours: natural

60.3860

1.300

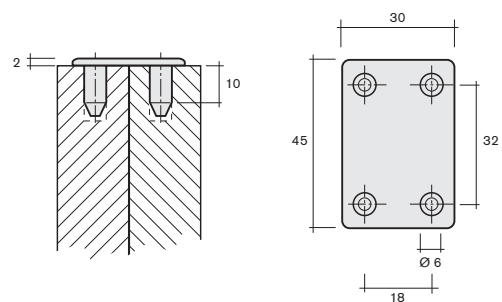
Verbindungsplatte 45°
 8 Zapfen \varnothing 6 mm
connecting plate 45°
 8 pins \varnothing 6 mm



60.0360

3.500

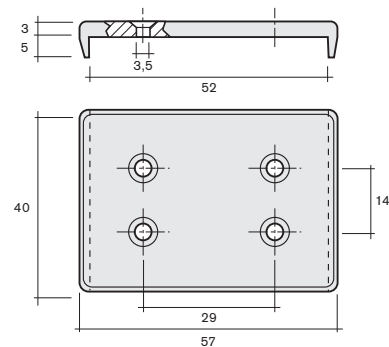
Verbindungsplatte
 4 Zapfen \varnothing 6 mm
connecting plate
 4 pins \varnothing 6 mm



60.0750

1.000

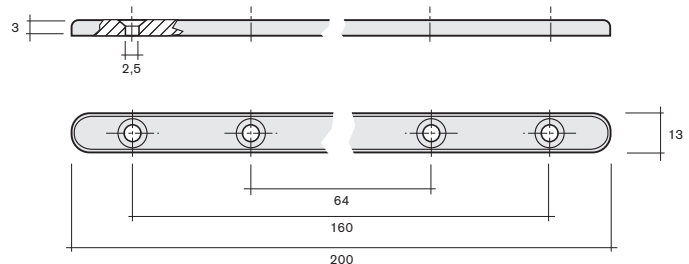
Verbindungsplatte
 4 Bohrungen
connecting plate
 4 holes



60.0090

2.500

Verbindungslasche
 4 Bohrungen
connecting strap
 4 holes



60.4520

5.000

Schubkastenblendenversteller
 hohenverstellbar durch Langloch
height adjuster for drawer blinds
 with oblong hole

